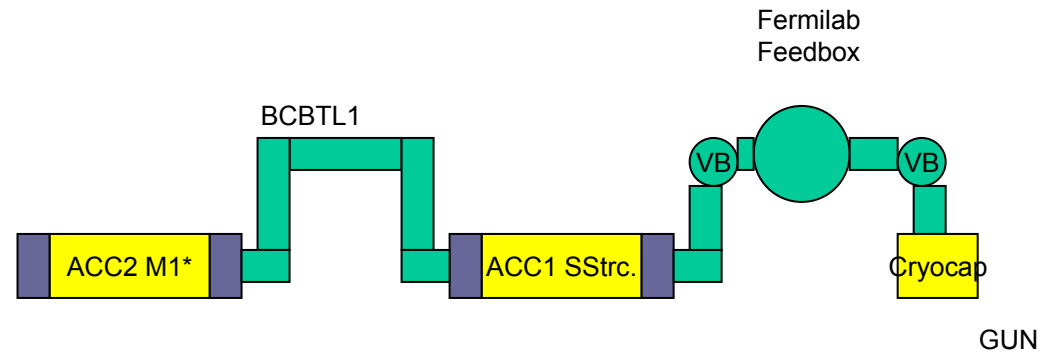


TTF-Cryogenic-Installations 2003

TESLA Collaboration Meeting
(Zeuthen 21.-23.01.04)

K. Jensch -MKS1-
Desy

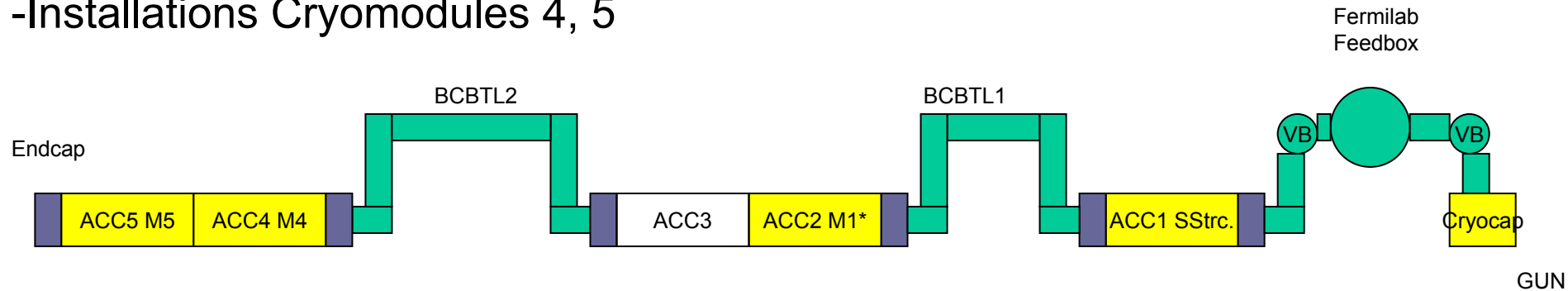
Status January 03



Installed Cryomodules:
Module 1* and the
Superstructure-Module

January up to March 03

-Installations Cryomodules 4, 5



Installation:

- BunchCompressorBypassTransferline2
- New Endcap ACC5

M3*

-Assembly Cryomodule 3*

BCBTL2



23.01.2004

K. Jensch -MKS1-

Module 4



23.01.2004

K. Jensch -MKS1-

5

Module 4



23.01.2004

K. Jensch -MKS1-

6

Modules 4 a. 5

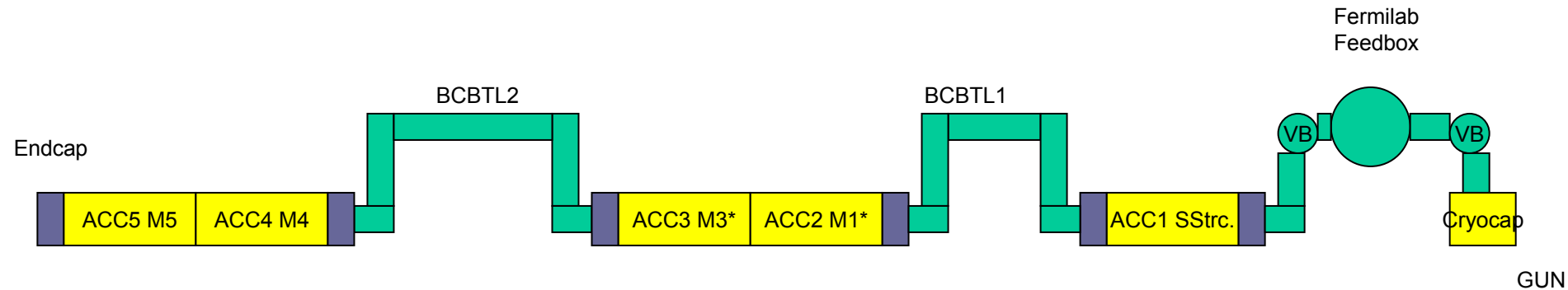


23.01.2004

K. Jensch -MKS1-

7

April up to June 03



-Installation Cryomodule 3*

- Connecting and closing all Cryomodules-connections
- Start-up commissioning

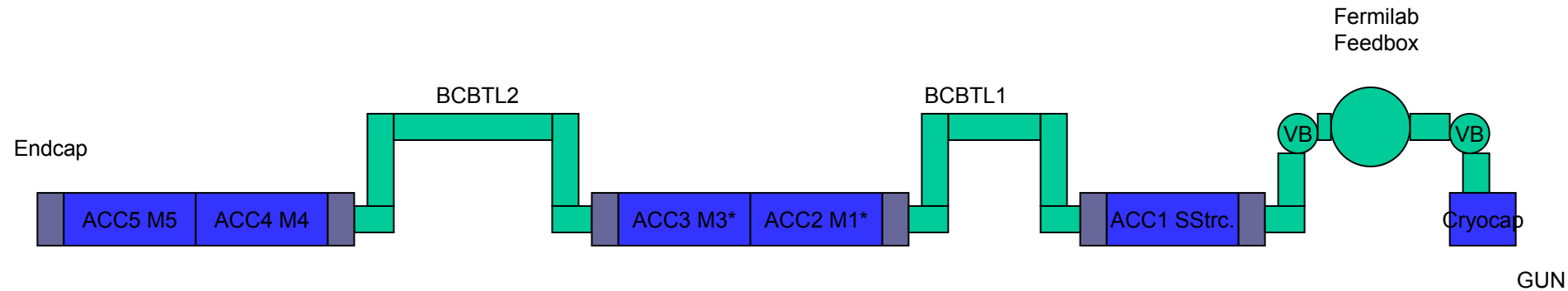
Module 3*



23.01.2004

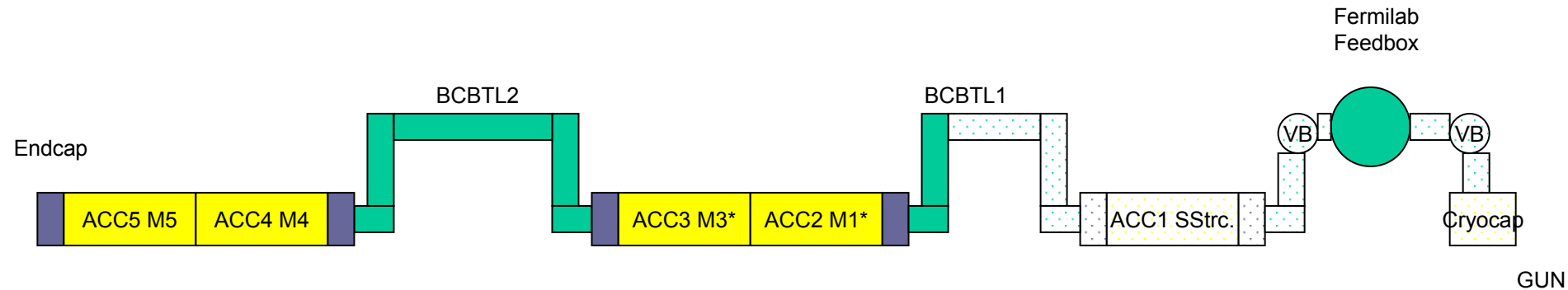
K. Jensch -MKS1-

July up to September 03



Cold RF-Test
Modules 4 a. 5

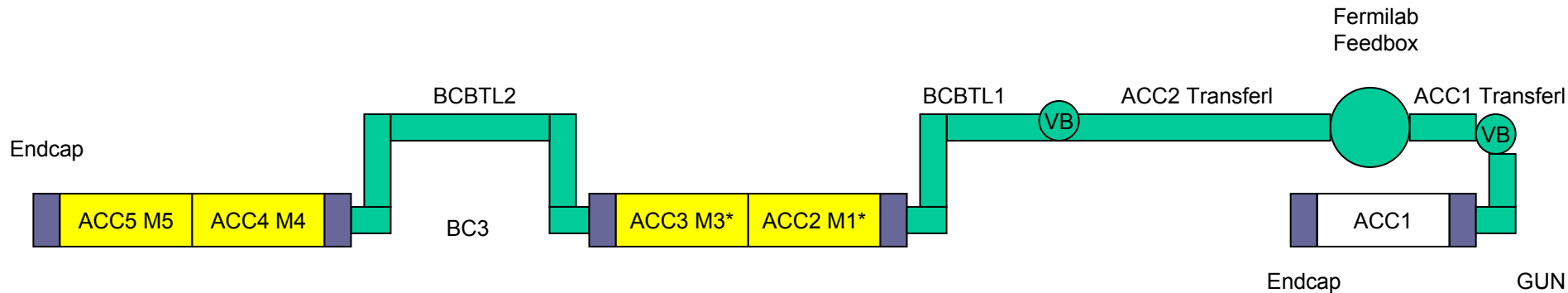
October 03



Remove:

- Superstructure-Module
- Cryocap (Capture Cavity)
- 1/2 BunchCompressorBypassTransferline1
- Valve boxes ACC1 and Cryocap

November up to December 03



-Reconstruction the injector area

-ACC1-Position ~11m upstream

Injector area (18.Jan.04)

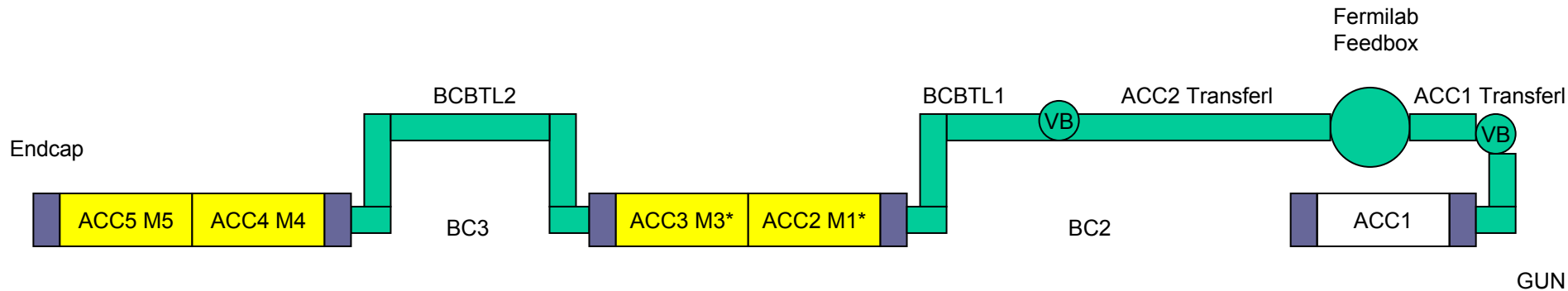


23.01.2004

K. Jensch -MKS1-

13

January up to February 04



M2*

-Assembly Cryomodule 2*
Ready 06.Feb.04

Module 2* (18.Jan.04)



23.01.2004

K. Jensch -MKS1-

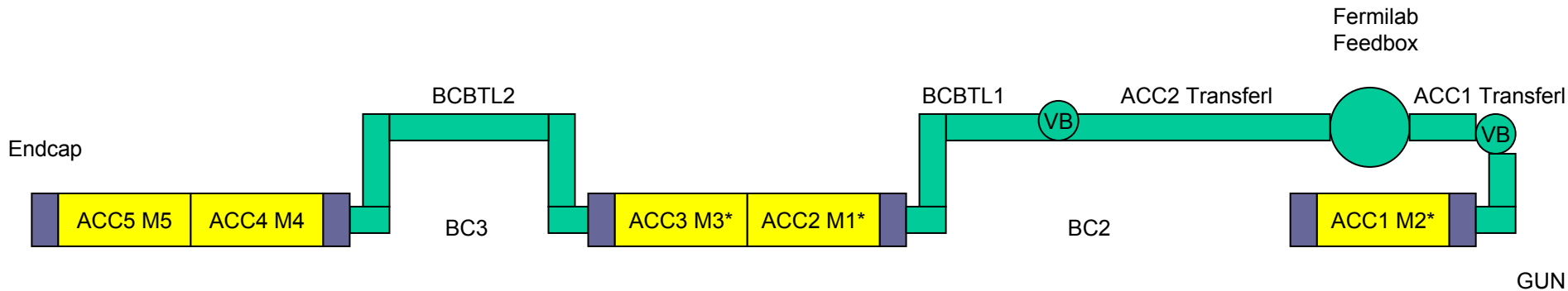
15

February up to March 04

Schedule

-Installation Cryomodule 2*

10.Feb.04



-Connecting and closing the Cryomodule-connections

Ready 02.Mar.04

-Commissioning

Ready 09.Mar.04

-Ready for cool down

09.Mar.04